

Assembly Instructions

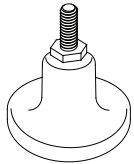
⚠ Important ⚠

Before you begin, read and comply with all safety and operating instructions, and ensure all parts and correct quantities are included.

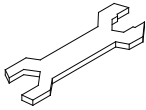
Any parts damaged during shipment must be reported within 5 days of receipt. To report information regarding missing parts or damage, to purchase parts or accessories, or if you have any questions, please contact us.

www.spectrumfurniture.com
800-235-1262, 715-723-6750

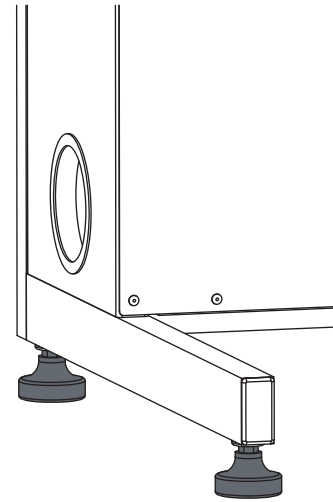
Thank you for purchasing Spectrum products!



(4) 0107763
5/16-18 x 1" Glide

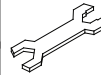


(1) 025069
Glide Wrench



Glide Kit
98513

Tools
Required



Glide Wrench
(included)

Desk installation

1. Carefully lift one side of the desk and place a short wooden 4x4 or 2x4 block (or equivalent support) under the leg. This may require two people. **Figure 1.**
2. Remove the old glides with the included glide wrench.
3. Thread new glides into the leg, tighten securely, and remove block.
4. Repeat this procedure on the other side of the desk.
5. The glides can be adjusted with the glide wrench to level the desk if necessary.

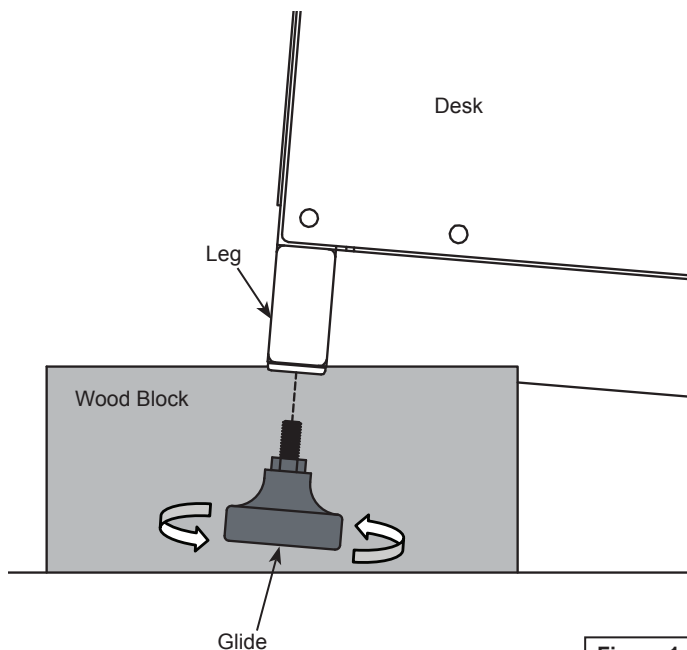


Figure 1

Lectern / Workstation installation

1. Carefully tip the unit upside-down or onto its side. This may require two people. **Figure 2.**
2. Remove any existing glides or casters.
3. Thread the new glides into the leg, and tighten securely.

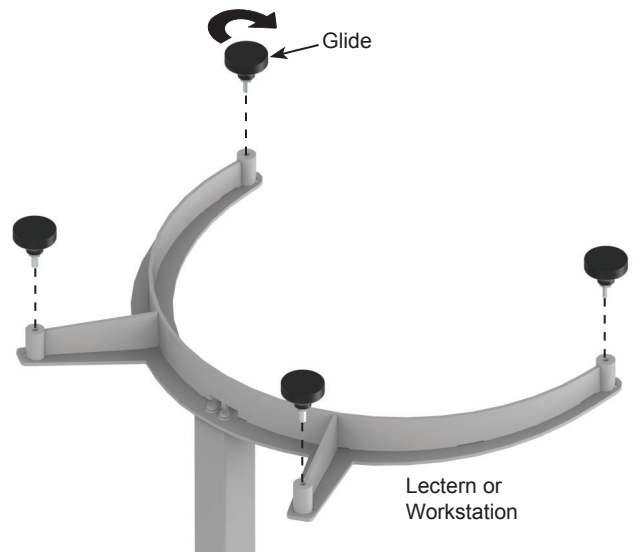


Figure 2