

Assembly Instructions

⚠ Important ⚠

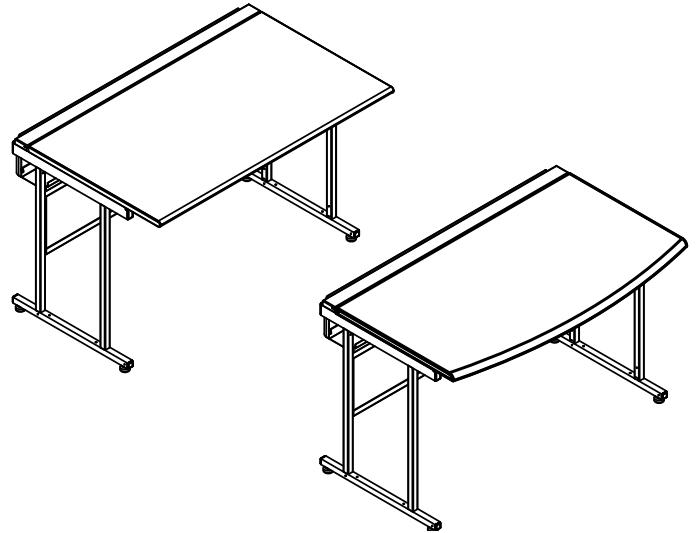
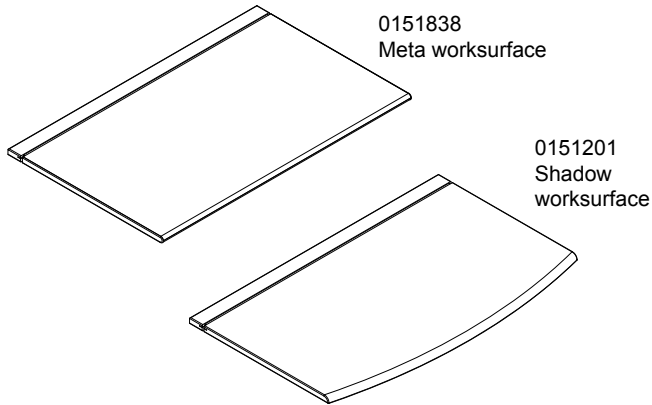
Before you begin, read and comply with all safety and operating instructions, and ensure all parts and correct quantities are included.

Any parts damaged during shipment must be reported within 5 days of receipt. To report information regarding missing parts or damage, to purchase parts or accessories, or if you have any questions, please contact us.

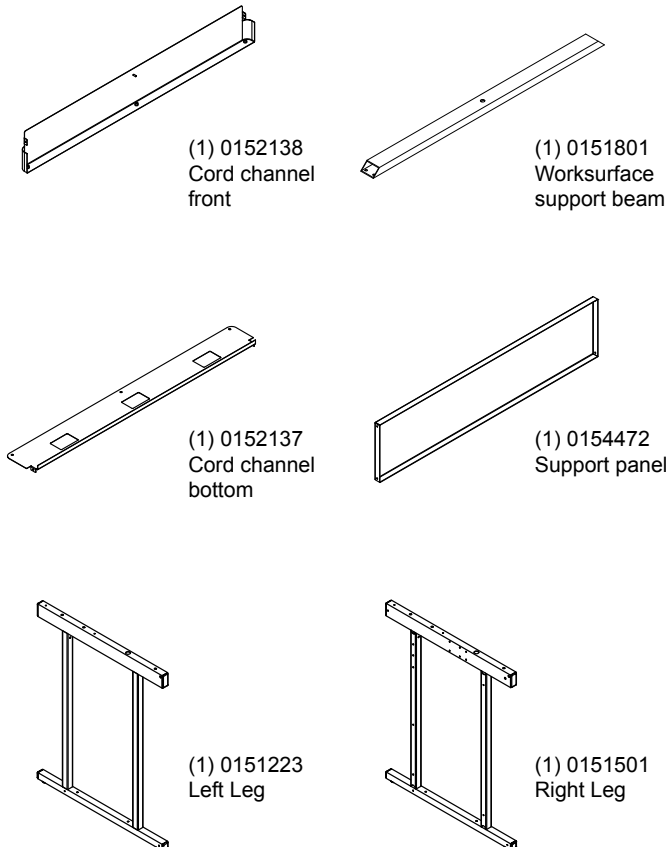
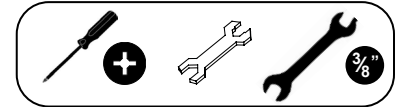
www.spectrumfurniture.com
800-235-1262, 715-723-6750

Thank you for purchasing Spectrum products!

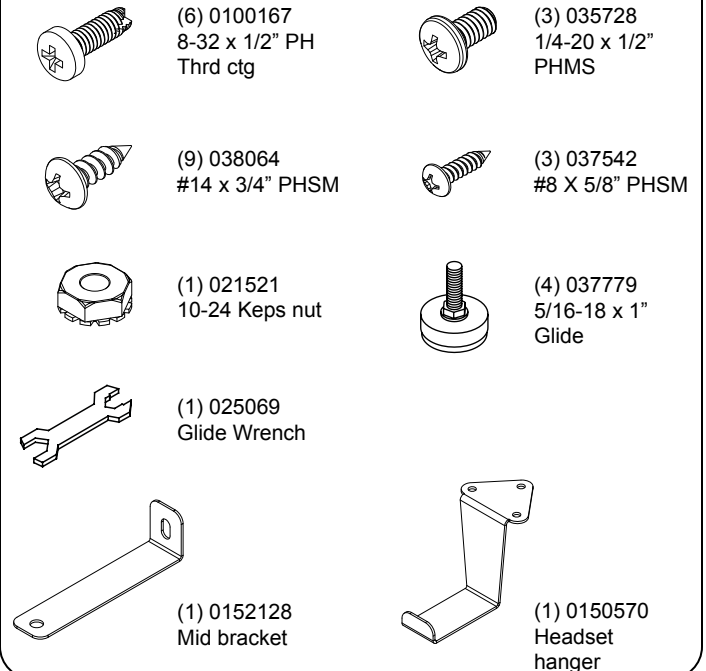
(1) Worksurface



Esports Meta Desk - 37335
Esports Shadow Desk - 37339



Hardware



Note: Do not tighten fasteners completely until all have been installed. Keeping them loose will help with alignment during assembly.

1. Assemble workspace

1. Place the workspace laminate side-down onto a non-abrasive surface like a carpeted floor. **Figure 1.**
2. Install the mid bracket as shown with (1) #14 x 3/4" PHSM screw.

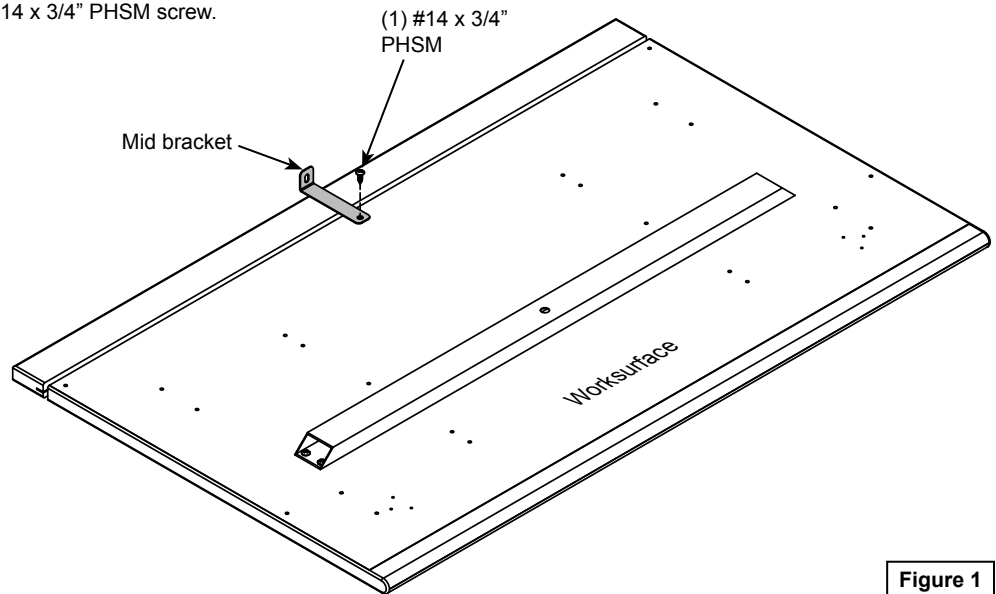


Figure 1

2. Attach laminate leg panels - optional

1. If you ordered optional laminate leg insert panels, install them into the legs at this point with (4) #14 x 3/4" PHSM screws. **Figure 2.** If you don't have laminate leg panels-skip to step 3.

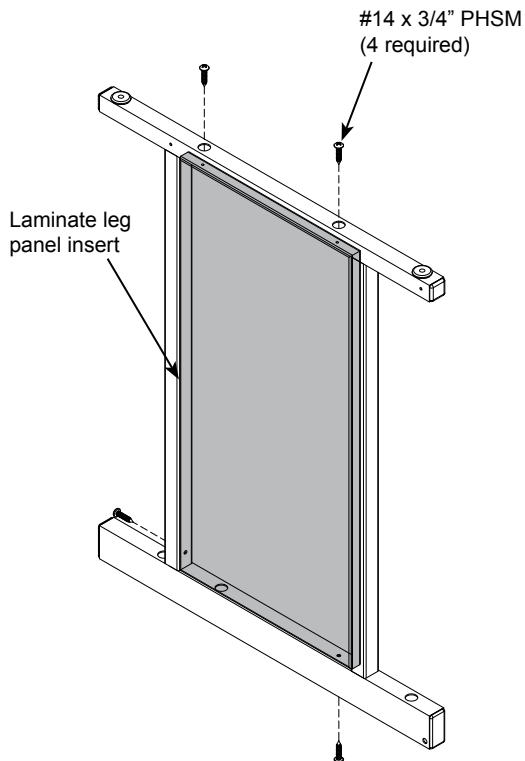


Figure 2

3. Attach legs to workspace

1. Attach each leg to the workspace with (2) #14 x 3/4" PHSM screws. Do not tighten screws completely yet. **Figure 3.**
2. Install the (4) glides to the bottom of the legs. The glides can be adjusted later to keep the desk level on uneven surfaces.

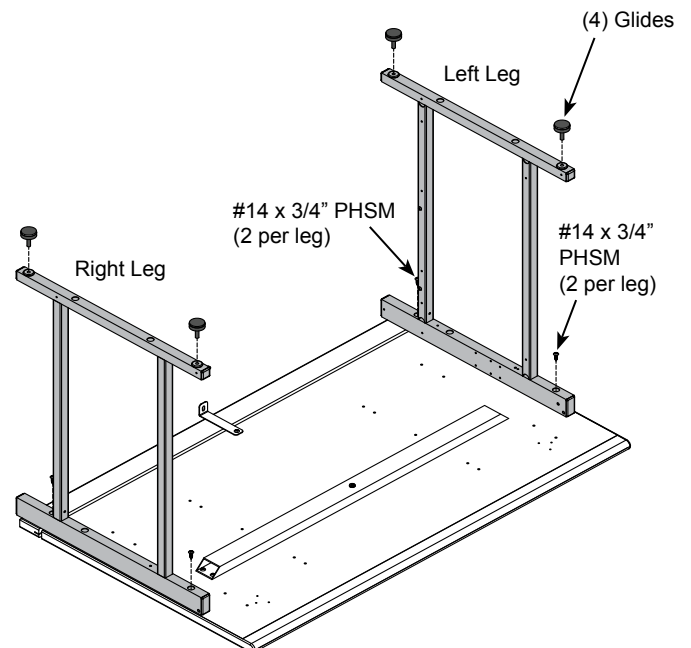


Figure 3

4. Attach cord channel

1. Align the cord channel front with the leg holes and mid bracket as shown. **Figure 4.1.** Secure with (2) 8-32 x 1/2" PH thread-cutting screws and (1) 10-24 Keps nut at the mid bracket.

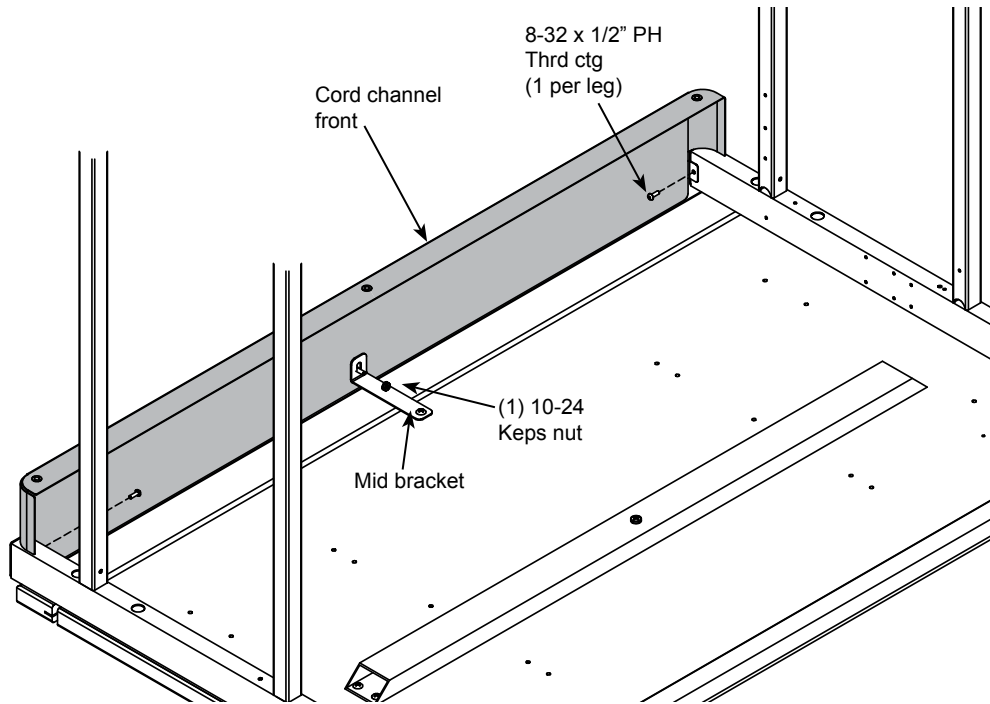


Figure 4.1

2. Align the cord channel bottom and secure to the cord channel front with (3) 1/4-20 x 1/2" PHM screws. **Figure 4.2.**
3. Secure to each leg with (1) 8-32 x 1/2" PH thread-cutting screws.

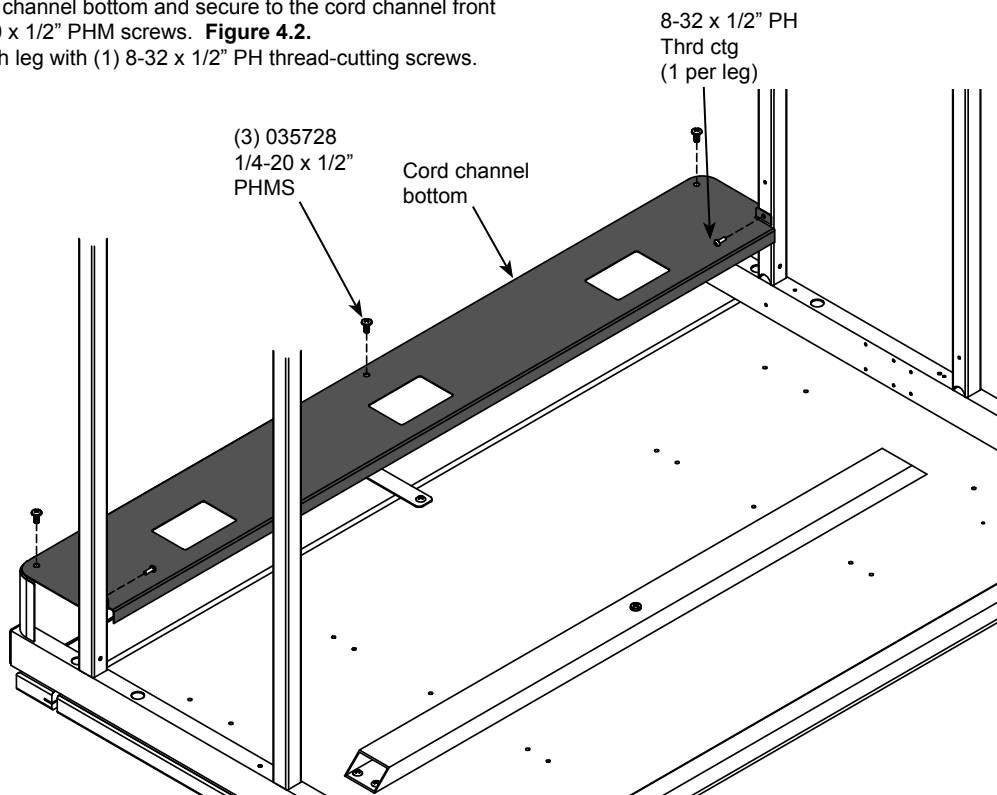


Figure 4.2

5. Attach support panel

1. Align the support panel as shown. **Figure 5.**
2. Secure to the legs with (4) 8-32 x 1/2" PH thread-cutting screws.
3. Tighten ALL screws.

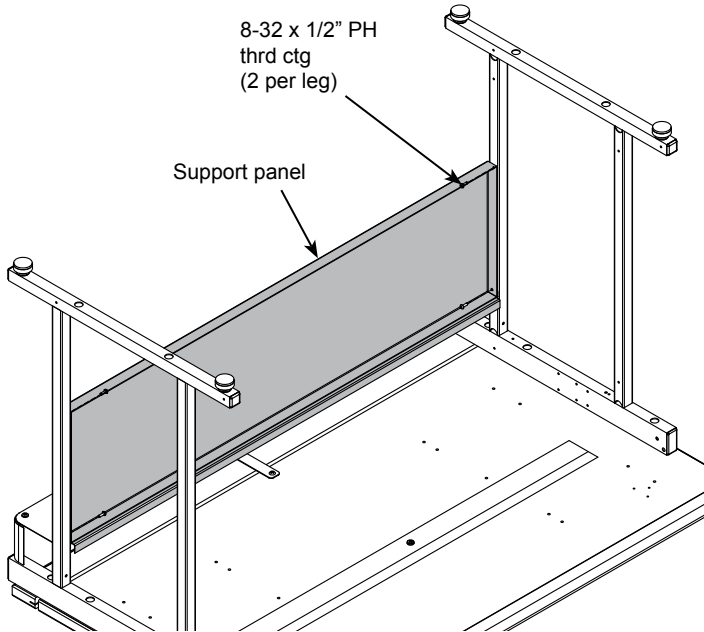


Figure 5

6. Attach metal leg panels - optional

1. The upper rear screw is shared with the cord channel.
2. Attach the panel to the inside of each leg with (4) 8-32 x 1/2" PH Thread cutting screws. **Figure 1.**

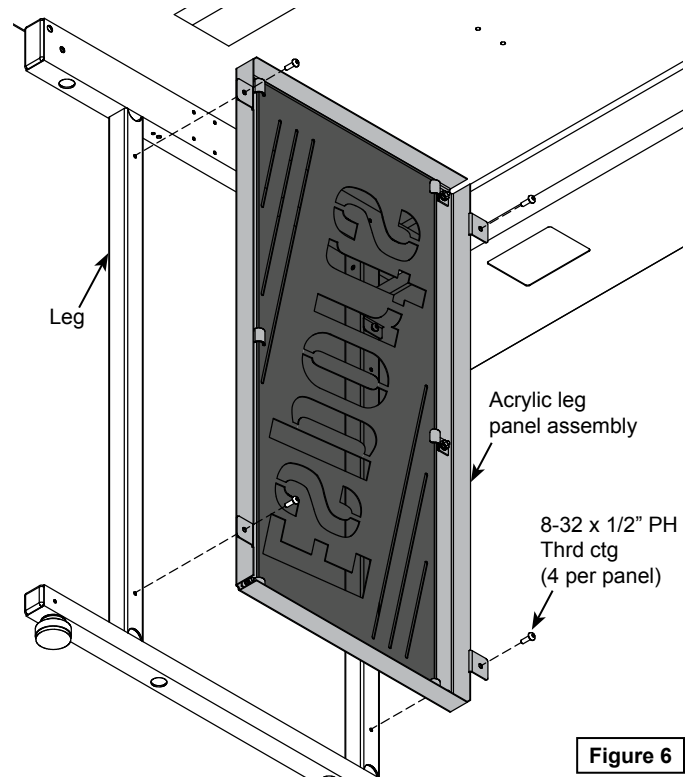


Figure 6

7. Attach headphone hanger

1. The headphone hanger can be attached to the left or right-side of the desk using (3) #8 x 5/8" PHSM screws. **Figure 7.**

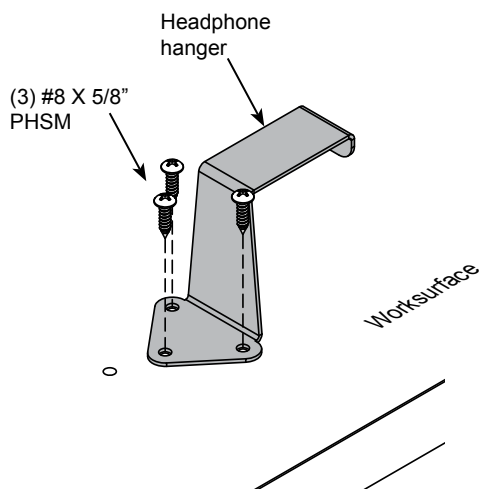


Figure 7

8. Flip desk upright

1. Using two people, carefully flip the assembled desk upright. **Figure 8.**

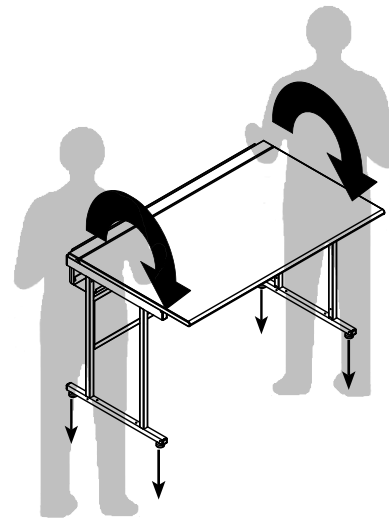


Figure 8



CAUTION



Do not allow the desk legs to contact the floor until the table is completely flipped over. Excessive side-loading of the legs could cause damage.