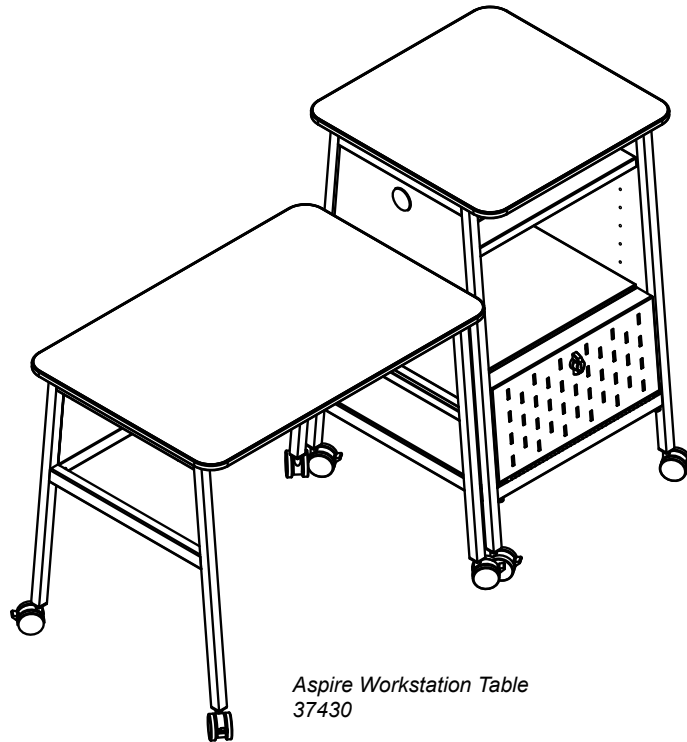


## Technical Specifications

Aspire Workstation	55569
Aspire Workstation Table	37430



Aspire Workstation  
55569  
(shown with optional  
locking door)

Aspire Workstation Table  
37430

Designed to offer versatility in any K12 teaching environment, the Aspire Workstation provides the freedom to move throughout the classroom to complement any teaching style or program. The mobile workstation has dual adjustable storage shelves and can accommodate technology and / or supplies. An optional locking door provides secure storage when needed. The free-standing table with modesty panel can easily be moved around to where needed and provides a comfortable surface to complete work or provide student assistance. Both units have worksurface overhangs that facilitate mounting of clamp-on accessories like an optional monitor arm.



## Features and Benefits

- Welded steel rectangular tube legs provide strength and stability
- Twin wheel locking casters provide independent mobility
- Worksurface overhang accommodates clamp-on style monitor arms
- Scratch and impact-resistant high-pressure laminate worksurfaces
- Units ship “knocked-down” for lower shipping costs and can be easily assembled at the final location
- Warranted to be free of all defects in materials and workmanship for 10 years
- Designed and assembled in Chippewa Falls, WI, USA

### Workstation

- 24”W x 24”D x 40”H
- Dual shelves provide adjustable storage
- Space behind shelves provide easy cord access for electronics
- Grommets throughout provide easy cord access
- Instructor-side channel under worksurface provides a convenient location to attach a power strip (*not included*)
- Optional locking door provides security in lower section of workstation

### Table:

- 36”W x 24”D x 30”H
- 12”H modesty panel provides lateral strength and stability

## Color Options


Wild Cherry (CH)	Black (B)	Fusion Maple (FM)	Black (B)	Graphite Talc (GT)	Black (B)
Wild Cherry (CH)	Silver (S)	Fusion Maple (FM)	Silver (S)	Graphite Talc (GT)	Silver (S)

Also available in Spectrum Expressions colors.  
See [spectrumfurniture.com](http://spectrumfurniture.com) for complete color information.

# Construction

- The worksurfaces are constructed from 5/8" thick NAF (no added formaldehyde) composite board with .030" [.762mm] high-pressure laminate on one face, and balancing black laminate on the opposing face
- Worksurface edges are covered with vinyl edgeband
- All metal components are finished with a scratch-resistant powder coat epoxy
- Each unit ships knocked-down (KD) in a separate box and requires assembly

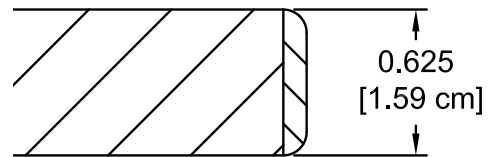
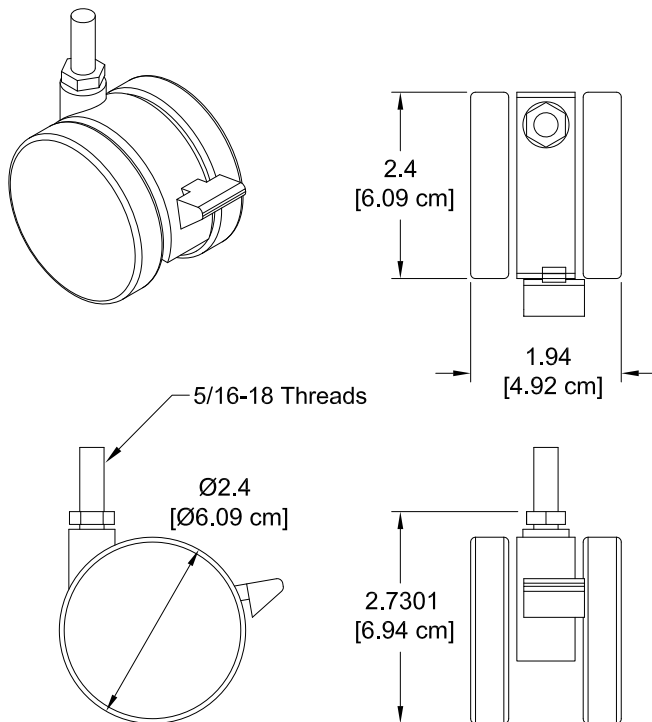
# Specifications

Workstation adjustable shelves (2 included)	20.9375"W [53.18 cm] x 16.3"D [41.4 cm] <i>(shelf height is adjustable in 2" increments)</i>
Twin-wheel locking casters	<ul style="list-style-type: none"> <li>• Material: Soft polyurethane</li> <li>• Diameter: 2.4" [6.1 cm]</li> <li>• Weight capacity: 90 lb [40.9 kg] each</li> </ul>
ADA-compliance* <i>(Table only)</i>	 <p>(1) ADA seat per table <i>*Minimum ADA guidelines for knee clearances are 30"W x 19"D x 27"H</i></p>
Certifications / Compliance	Meets or exceeds applicable ANSI-BIFMA test standards
Shipping	1 box each
Unit weight (nominal)	80 lb [36.3 kg] - Workstation - 55569 45 lb [20.4 kg] - Table - 37430
Shipping weight (nominal)	85 lb [38.6 kg] - Workstation - 55569 50 lb [22.7 kg] - Table - 37430

Specifications subject to change without notice

### Twin-wheel casters

### Worksurface edge



**Workstation**

24"W x 24"D worksurface  
with overhang for clamp-on  
accessories

Side  
grommet

Channel to attach  
power strip

Two  
adjustable  
shelves

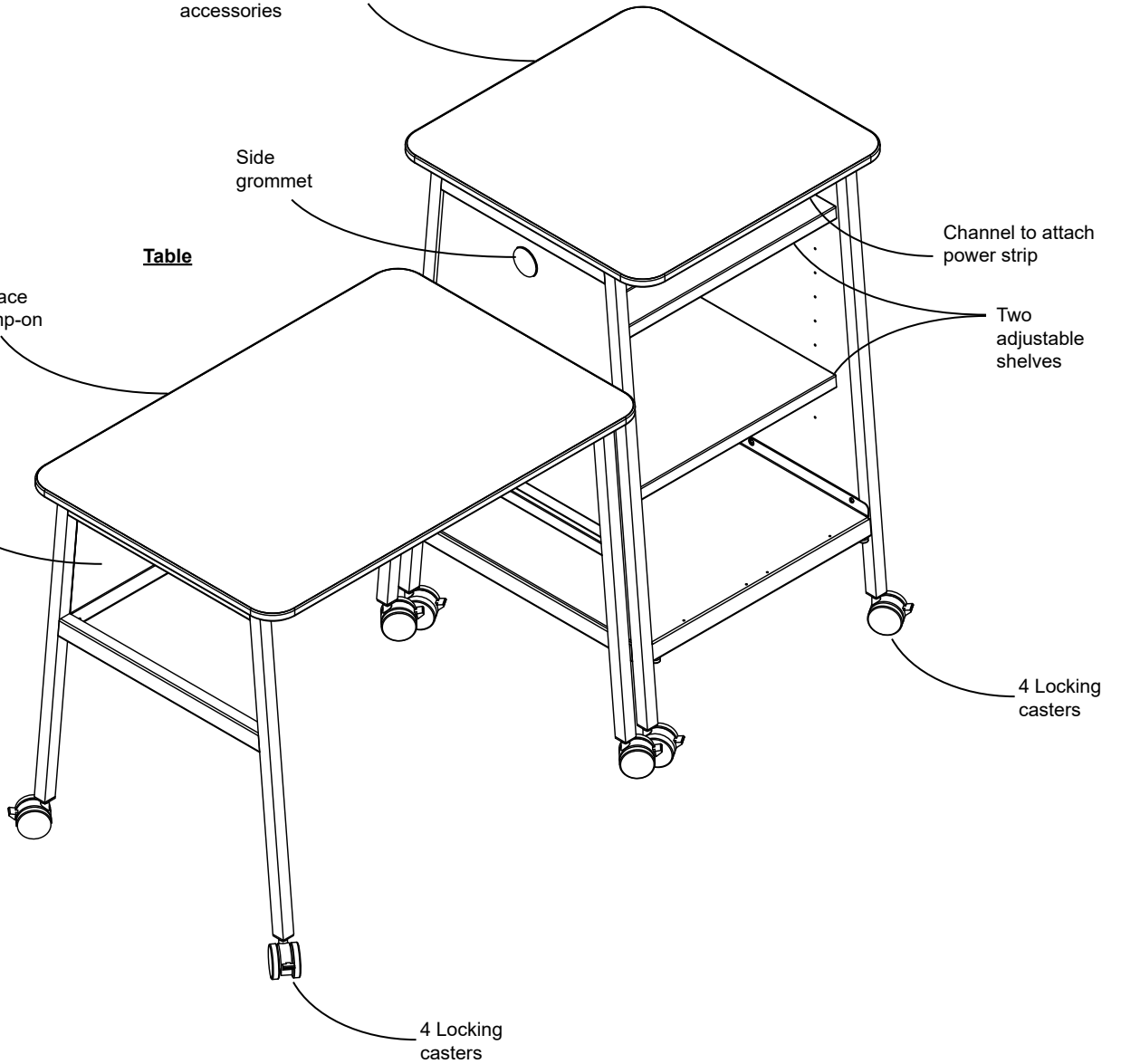
**Table**

24"W x 24"D worksurface  
with overhang for clamp-on  
accessories

Modesty  
panel

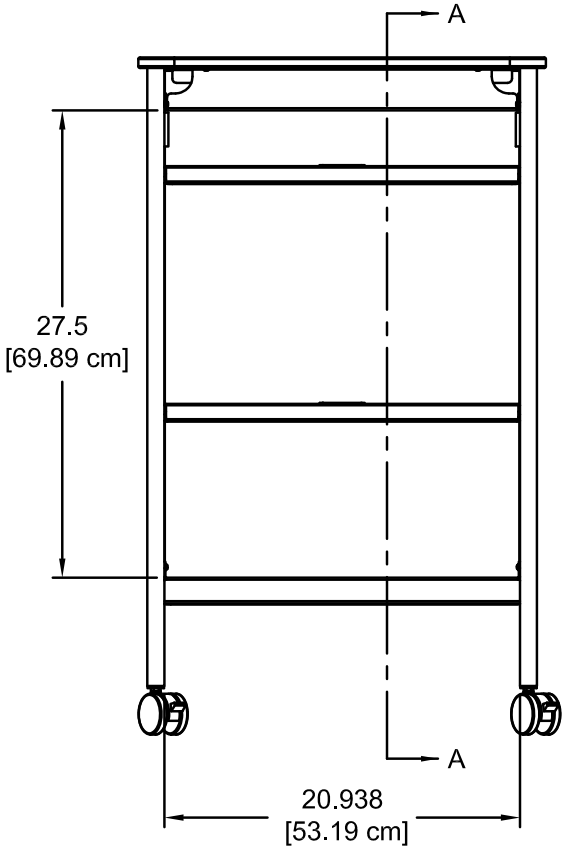
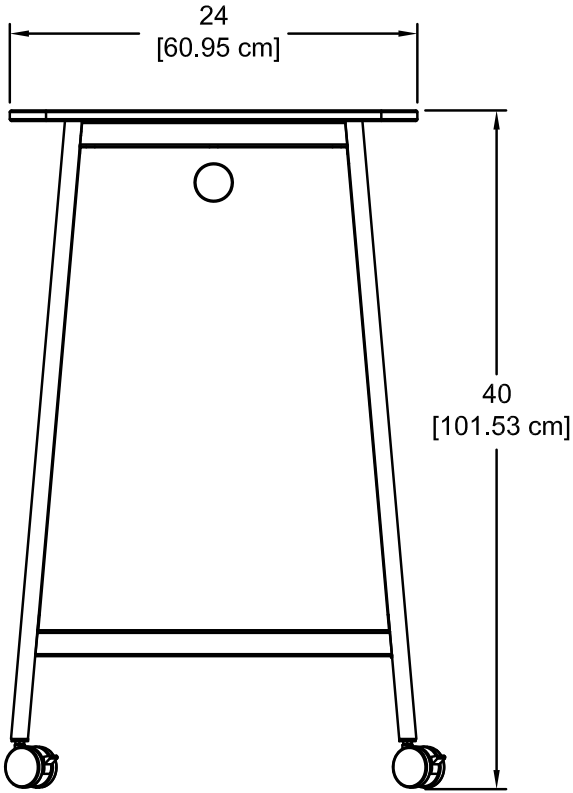
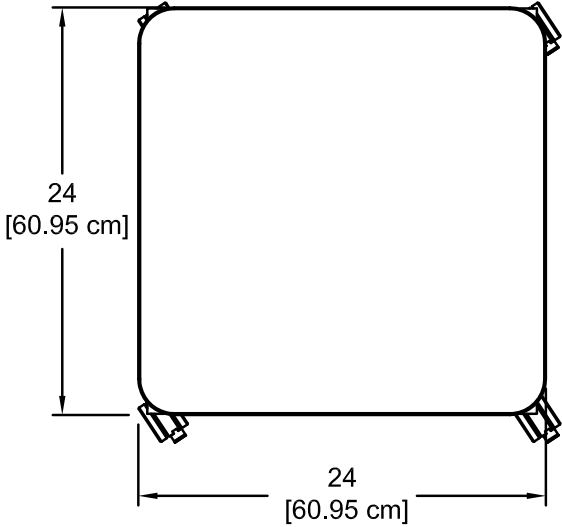
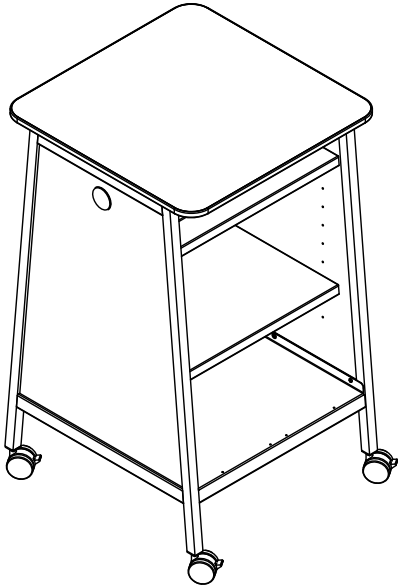
4 Locking  
casters

4 Locking  
casters

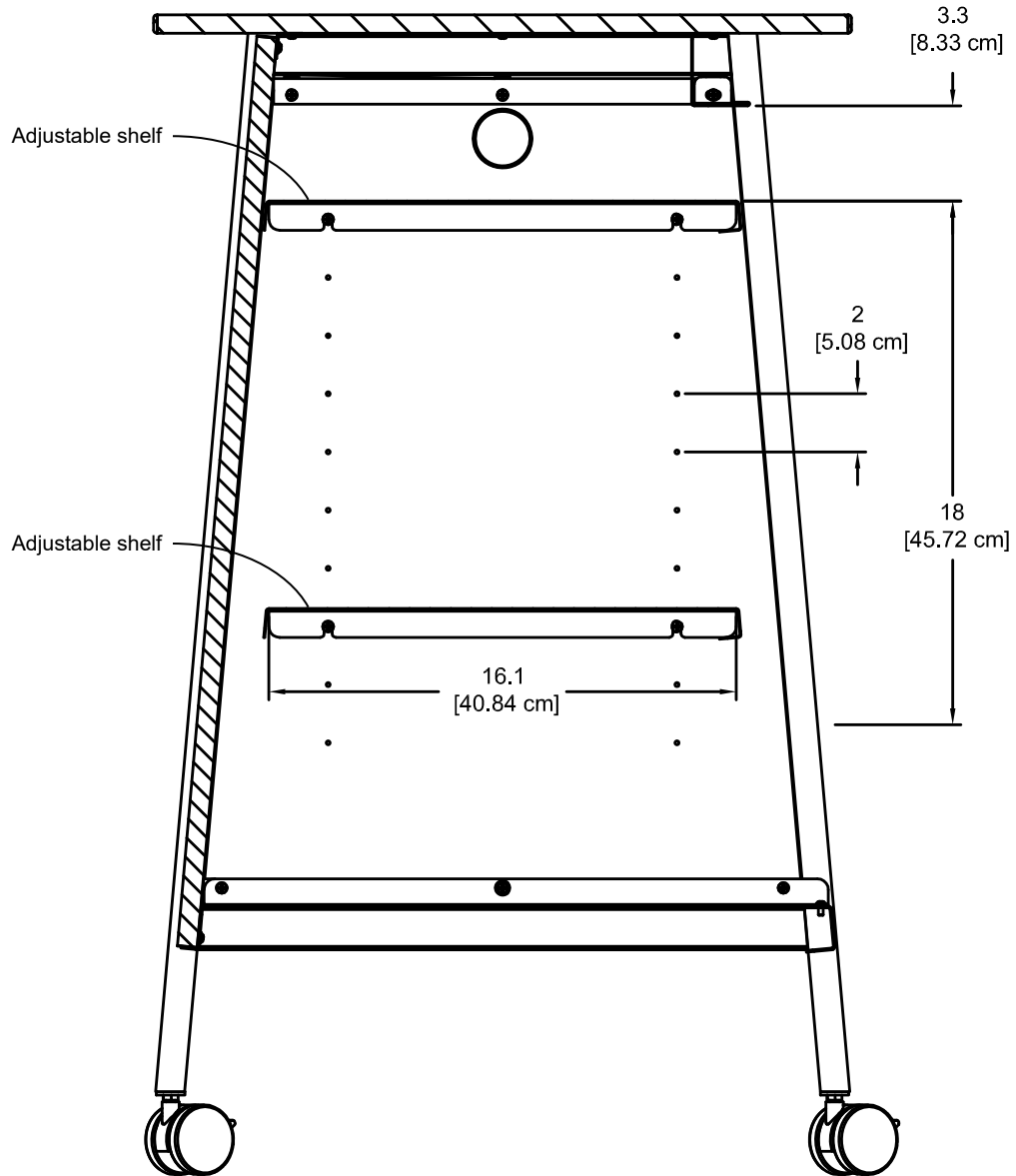


*Note: The Aspire workstation and table are each free-standing and do not connect together.*

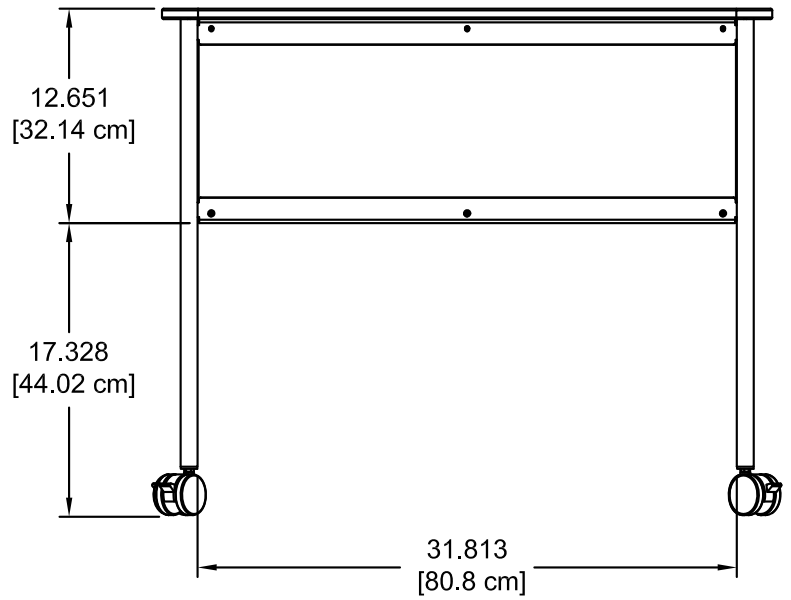
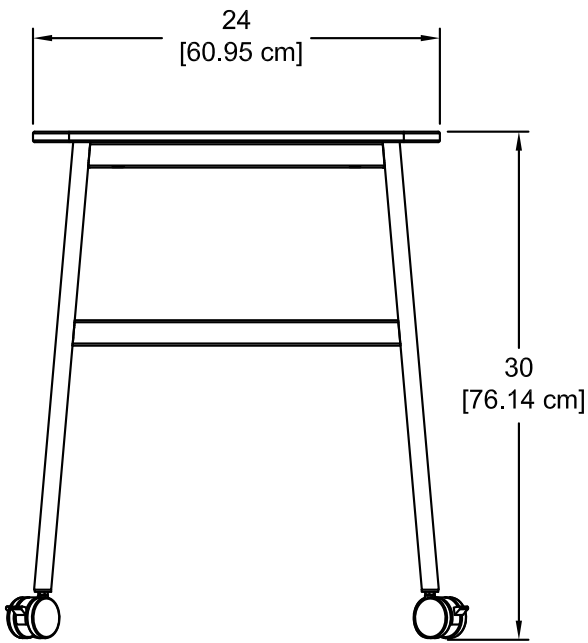
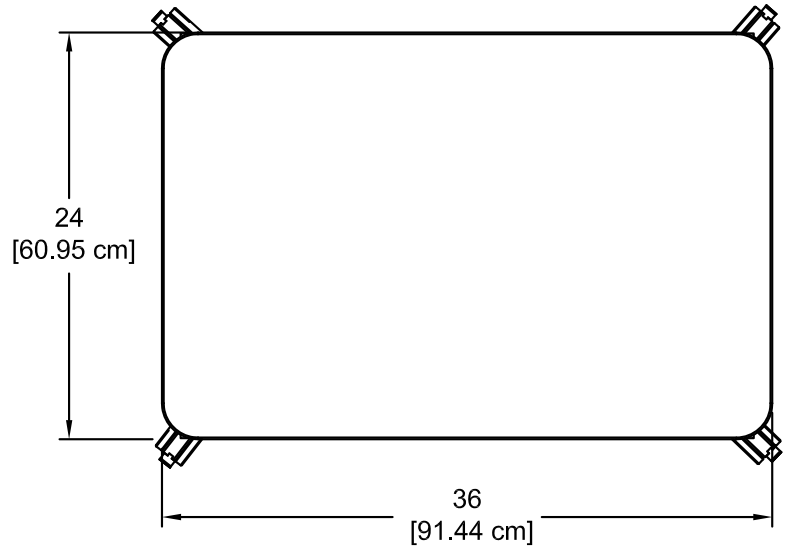
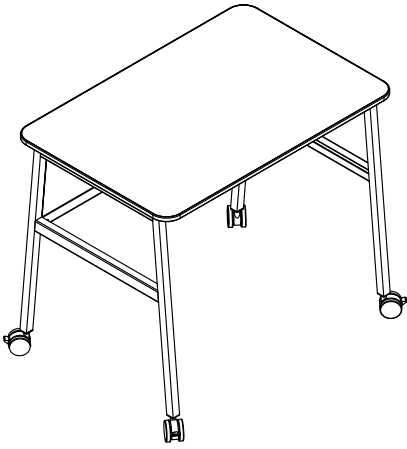
Aspire workstation

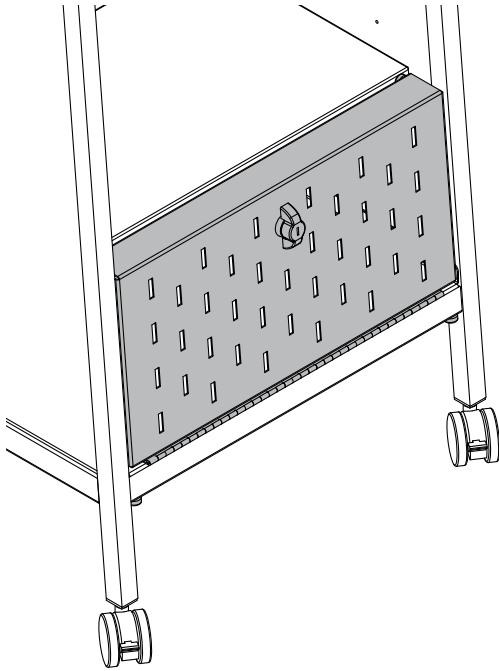


Section view A-A



Table





### Locking door - 95044

- Provides secure locking storage at bottom of unit
- Vent slots provide air flow for electronics
- Requires lower shelf to be installed at third lowest position
- Shipping weight: 6 lb [2.7 kg]



### 7-Outlet Power Strip - 99024

- Electrical Rating: AC 125V, 15 Amps
- 1000 Joules surge capacity
- 12' cord length
- LED switch
- UL Listed
- Shipping weight: 1.9 lb [.86 kg]



See [spectrumfurniture.com](https://www.spectrumfurniture.com) for complete details on Spectrum's full line of monitor arms.

See [spectrumfurniture.com](https://www.spectrumfurniture.com) for the latest accessories and detailed warranty information.

## Warranty

### **We will make it right for you!**

Thanks for choosing Spectrum! Spectrum is committed to provide complete customer satisfaction. Each of our products is manufactured from the best materials available and each product is stringently monitored throughout the production process through our P.A.C.E. program (Product Assurance to meet Customer Expectations).

We expressly warrant that Spectrum products will be of good quality and workmanship and free from defect for the period set out in the warranty from the date of delivery.

**For a listing of all product specific warranty terms please visit our website at:**

<https://www.spectrumfurniture.com/en/resources/purchasing-terms-warranty>

**1-800-235-1262**

Toll-free HELPLINE

**[spectrum@spectrumfurniture.com](mailto:spectrum@spectrumfurniture.com)**