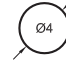
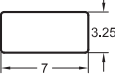
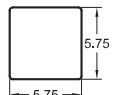
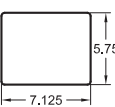
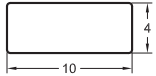
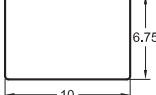
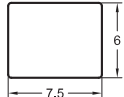
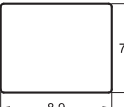

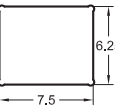
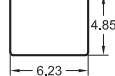
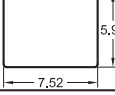
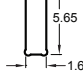
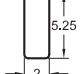



Technical Specifications

Device	Cutout Size (in.)	Cutout and orientation
	W ↔ x L ↓	
*Custom cutout	Contact Spectrum with size(s) and location(s). See product specs for available cutout areas	
Extron®	Cable Cubby 100	4" diameter 
	Cable Cubby 202	7" x 3.25" 
	Cable Cubby 500	5.75" x 5.75" 
	Cable Cubby 700	7.125" x 5.75" 
	Cable Cubby 1200	10" x 4" 
	Cable Cubby 1400	10" x 6.75" 
	TLP-350CV	7.5" x 6" 
	TLP Pro 720C	8.9" x 7.1" 
Crestron®	TT-100	4" diameter 
	TT-111	
	FT-600	7.5" x 6.25" 
	FT-TS-600	
Kramer®	TBUS-5XL	6.23" x 4.85" 
	TBUS-1AXL	7.52" x 5.98" 
Misc	Power Module (new)	1.65" x 5.65" 
	Cove™ Power Module	2" x 5.25" 
	3.25" Round Grommet	3.25" diameter 

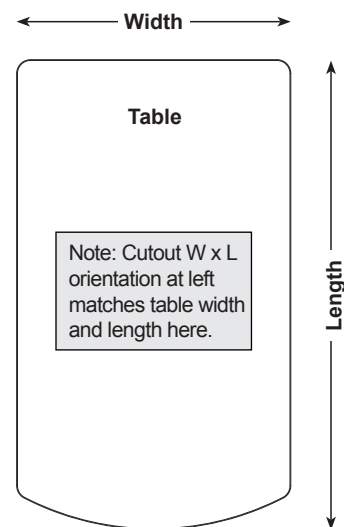
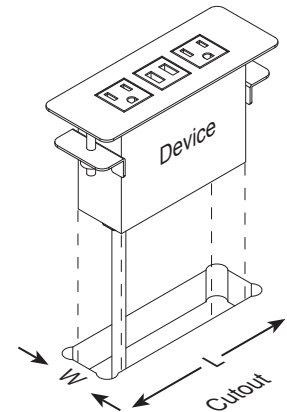
Note: Spectrum Industries, Inc. manufactures furniture that supports a wide variety of power and communication devices from a variety of manufacturers. This table is compatible with many Extron®, Crestron®, Kramer®, ECA® and other devices. Spectrum does not resell these products; *please consult your electronic supplier* for the equipment that best suits your needs. Size specifications from the manufacturer can be used to verify the fit.

! Note: Some controllers and devices require additional space around the cutout for clamping under the worksurface. Please double check your device specifications to ensure adequate space around the cutout.

***When ordering a table or lectern with cutouts, specify complete details of the device(s) (brand, model number, cutout size, quantity, etc.) to the Spectrum sales rep when ordering.**

Note: Extron® Teamwork 400 package requires:
(1) CC1200 cutout

Note: Extron® Teamwork 600, 601 packages require:
(1) CC1400 cutout



Module(s) included when configured

***Custom cutout(s) by Spectrum**

- Contact Spectrum with device size(s) and location(s)
- See product specs for available cutout areas